

MODEL: 03 SERIES

ATEX intrinsic safe design

Explosion proof: Exia IIC T4 (Alkaline battery)

Ingress protection rating: IP 67

Model GP-03

Combustible gas detection



Interchangeable battery

AAA(2) Alkaline battery is standard power source, Ni-MH battery can be installed as optional choice.

Comfortable wearable design

Well-balanced weight and shape to ensure comfort wearing. Alligator clip prevents the unit from dropping.

Sensor, filter, and battery are replaceable.

Robust waterproof design and

Intrinsically Safety rating make the 03 series the ideal gas monitor for many hazardous applications!



Model OX-03

Oxygen detection

Model HS-03

Hydrogen sulfide detection

Model CO-03

Carbon monoxide detection

Application


- LEL monitoring for gas pipeline installations.
- LEL & CO monitoring while checking or installing gas meters.
- O2 & H2S monitoring while working in tanks, pits, or other confined spaces.
- CO monitoring in iron and steel plants.
- H2S monitoring around oil fields, refineries, petrochemical plants.

Specifications

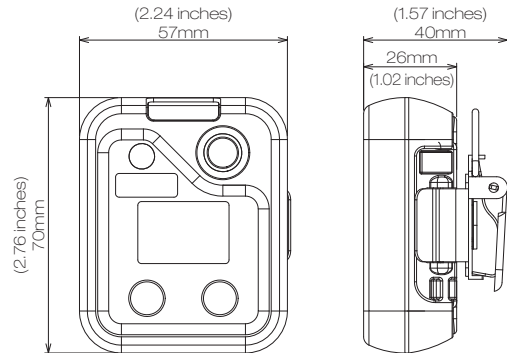
| Model | GP-03 | OX-03 | HS-03 | CO-03 |
|----------------------------|-------------------------------------------------------------------------------------------------------------------------------------------------------------|-------------------------------------------------------------------|-----------------------------------------------------------------------------------|-----------------------------------------------------------------------------|
| Gas detected | Combustible gases | Oxygen | Hydrogen sulfide | Carbon monoxide |
| Detection principle | Catalytic combustion | Galvanic cell | Electro-chemical cell | |
| Detection range | 0 ~ 100%LEL | 0 ~ 40.0% | 0 ~ 100.0ppm | 0 ~ 500ppm |
| Increments | 1%LEL | 0.1% | 0.5ppm | 1ppm |
| Preset alarms | 1st : 10%LEL 2nd : 50%LEL OVER : 100%LEL | 1st : 19.5% 2nd : 18.0% OVER : 40.0% | 1st : 5.0ppm 2nd : 30.0ppm STEL : 5.0ppm TWA : 5.0ppm OVER : 100.0ppm | 1st : 25ppm 2nd : 50ppm STEL : 200ppm TWA : 25ppm OVER : 500ppm |
| Types of alarm *1 | Gas alarms: 2 preset alarms, Over scale alarm, STEL, TWA Trouble alarms: Sensor disconnection, Low battery, Calibration error, Clock error, System error | | | |
| Alarm method | Latching | Latching | Latching | Latching |
| Display of alarm | Gas alarms: Flashing LEDs, Buzzer, Flashing gas value, Vibration Trouble alarms: Flashing LEDs, continuous buzzer, display of error message | | | |
| Operating temp. & humidity | -20 ~ +50°C [-4°F ~ 122°F] 0 ~ 90%RH (Non-condensing) | -20 ~ +50°C [-4°F ~ 122°F] 0 ~ 95%RH (Non-condensing) | -20 ~ +50°C [-4°F ~ 122°F] 16 ~ 85%RH (Non-condensing) | |
| Power source | 2 AAA size Alkaline battery (Optional AAA size Ni-MH battery [Eneeloop]) | | | |
| Continuous operation *2 | Alkaline battery : Approx.35 h Ni-MH battery : Approx.30 h | Alkaline battery : Approx.3000 h Ni-MH battery : Approx.2000 h | | |
| Response time | 90% response within 30 sec | 90% response within 20 sec | 90% response within 30 sec | |
| Ingress proof | IP 67 | | | |
| Explosion proof | Alkaline dry battery version : Exia II CT4 Ni-MH battery version : Exia II CT3 | | | |
| Approvals | IECEX, ATEX | | | |
| Dimension & weight | Approx. 57(W) × 70(H) × 26(D) mm [2.1(W) × 2.64(H) × 0.94(D) inches] with rubber protection cover, 80g [2.8 ounces] | | | |
| Function | Manual LCD backlight (Automatically ON when alarming), Peak value, Data logging, Time, CAL alarm, BUMP alarm | | | |

*1 STEL and TWA alarms are available on HS-03 and CO-03 only. *2 No alarm, no light at 25°C

Accessories

| | | | |
|----------------------|-------------------------------------------------------------------------------------|-----------------|--------------------------------|
| Standard | Rubber protection cover | Optional | Hand strap |
| |  | | Battery charger |
| | Alligator clip | | Filter |
| Alkaline dry battery | Ni-MH battery | Belt clip | Data logger management program |

Outer dimension



Data logger download



RIKEN KEIKI Co.,Ltd.

2-7-6 Azusawa, Itabashi-ku, Tokyo 174-8744, Japan
Phone : +81-3-3966-1113
Telefax : +81-3-3558-9110
E-mail : intdept@rikenkeiki.co.jp
Web site : http://www.rikenkeiki.co.jp

★ Distributed by:

NATURSONNE
www.natursonne.com.ar

Pacheco 2060, CABA,
Buenos Aires, Argentina
Teléfono +54 11 4524-2655