

# RE-2558

## Fire Alarm Control Panel



### Product Overview

RE-2558 is an UL Listed Microprocessor based conventional Fire Alarm Control Panel which has 8 Zones. These control panels are designed to be used in small and medium sized commercial complexes, buildings, hotels, schools, and industrial establishments. They are compatible with conventional detectors, manual call points and normally open dry contact devices.

### Special Features:

- Switched Mode Power Supply.
- Modular Construction
- Auto Resettable Fuse
- Surge Protection for all Input and outputs.
- Programmable AC loss delay/Trouble Remainder/Alarm Verification
- Battery polarity reversible protection
- Surface Mount Technology
- Over All current consumption is low.

### Features:

- Fully complies with UL -864 and NFPA-72.
- Rugged CRCA sheet with powder coated finish.
- Operates on 110 - 220VAC, 50 /60 Hz, AC mains power supply.
- 16x2 dot matrix LCD display.
- 4/8 Class B Style 'B ' or Style 'C' initiating device circuit (IDC).
- All zones accept smoke detectors and normal open contact devices.
- Any zone can be configured as alarm or supervisory zone.
- 2 Class B notification appliance circuits (NAC).
- NAC shall be programmed as silenceable or non- Silenceable.
- Supervisory zone shall be latching or resettable.
- Standby (battery) backup 24VDC power supply with built in charger
- Error free Fire / Fault status in unambiguous colored LED indication.
- System ON indication.
- Main & Standby status with audible and visual indication.
- Battery low visual warning with audible tone.
- FormC relays for fire, fault and supervisory.
- Resettable / Steady 24VDC Output.
- RS 485 Communication facility (Optional).
- Lamp test facility.
- All field wiring circuits are power limited except 110 - 220VAC and battery.
- All field wiring circuits are supervised.
- Walk test facility.
- Zone Isolation facility with loop voltage cut off.
- Earth fault annunciation facility at 0 ohms.
- AC low voltage cutoff.
- Programmable AC loss delay.
- Programmable alarm verification.
- Programmable trouble reminder.



## Electrical Specification:

### Primary Power :-

110 - 220VAC  $\pm$  10%, 50 Hz, 100W.

### Standby Power :-

24VDC (2 Nos of 12V, 12Ah Sealed Lead acid battery).

Quiescent current : 120mA

### Operating Condition :-

Operating Temperature : 0 - 49° C/32-120° F.

Storage Temperature : 0° C to 60° C.

Relative Humidity : 93  $\pm$  2% RH (non-condensing) at 32  $\pm$  2° C/90  $\pm$  3° F.

### Charging Circuit :-

Charging Voltage : 28.0V,  $\pm$  2%

Charging Current : 800mA (Max.).

### D.C. Output :-

Supervised 24VDC regulated, 300mA Max.

### Common Relays:-

Type	: Form C
No of Relays	: 3
Relay Contact Rating	: 2Amps @ 30 VDC, 0.5Amps @ 125VAC.
Power Factor	: 1.0

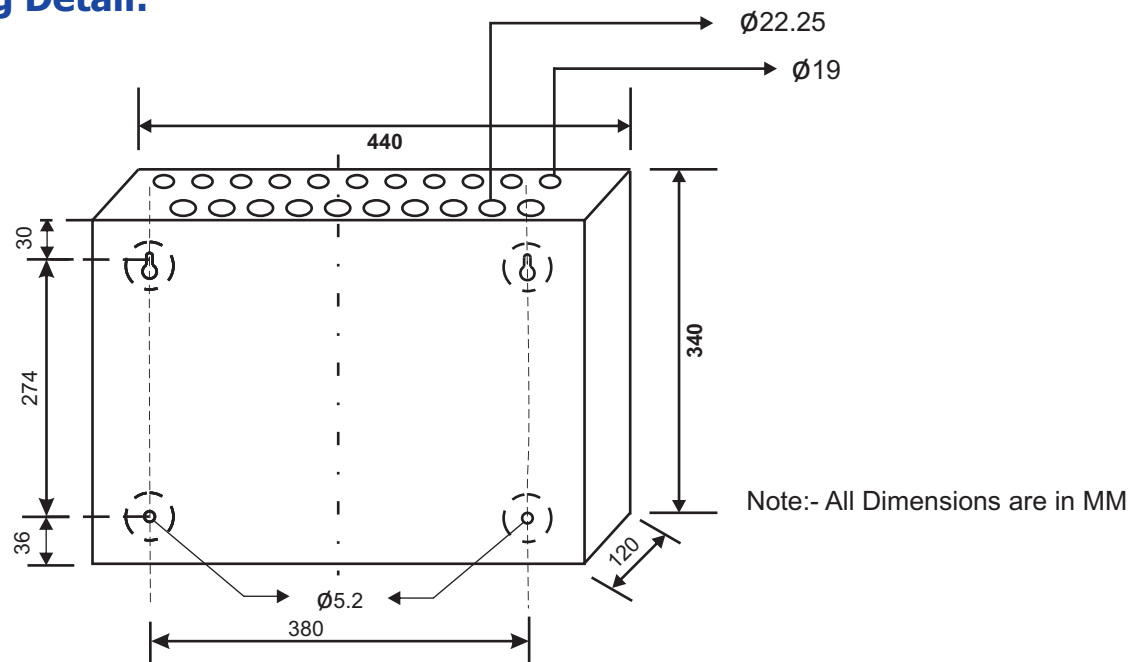
### Initiating Device Circuits :-

All zones are Class B Style B/C operation (Programmable).	
Normal Operating Voltage	: 14 - 21 VDC.
Alarm Current	: 15 - 30mA.
Short Circuit Current	: 45mA Maximum.
Loop resistance	: 100 ohms Maximum.
End-Of-Line Resistor	: 3K9, 1/2watt
Standby Current	: 7mA (2mA for Detectors)

### Notification Appliance Circuits :-

Class B Style - Y wiring	
Operating Nominal Voltage	: 24VDC
Current for all NACs	: 1.2Amps (0.6A per circuit)
Line Drop	: 1.8V
End-Of-Line Resistor	: 3K9, 1/2watt

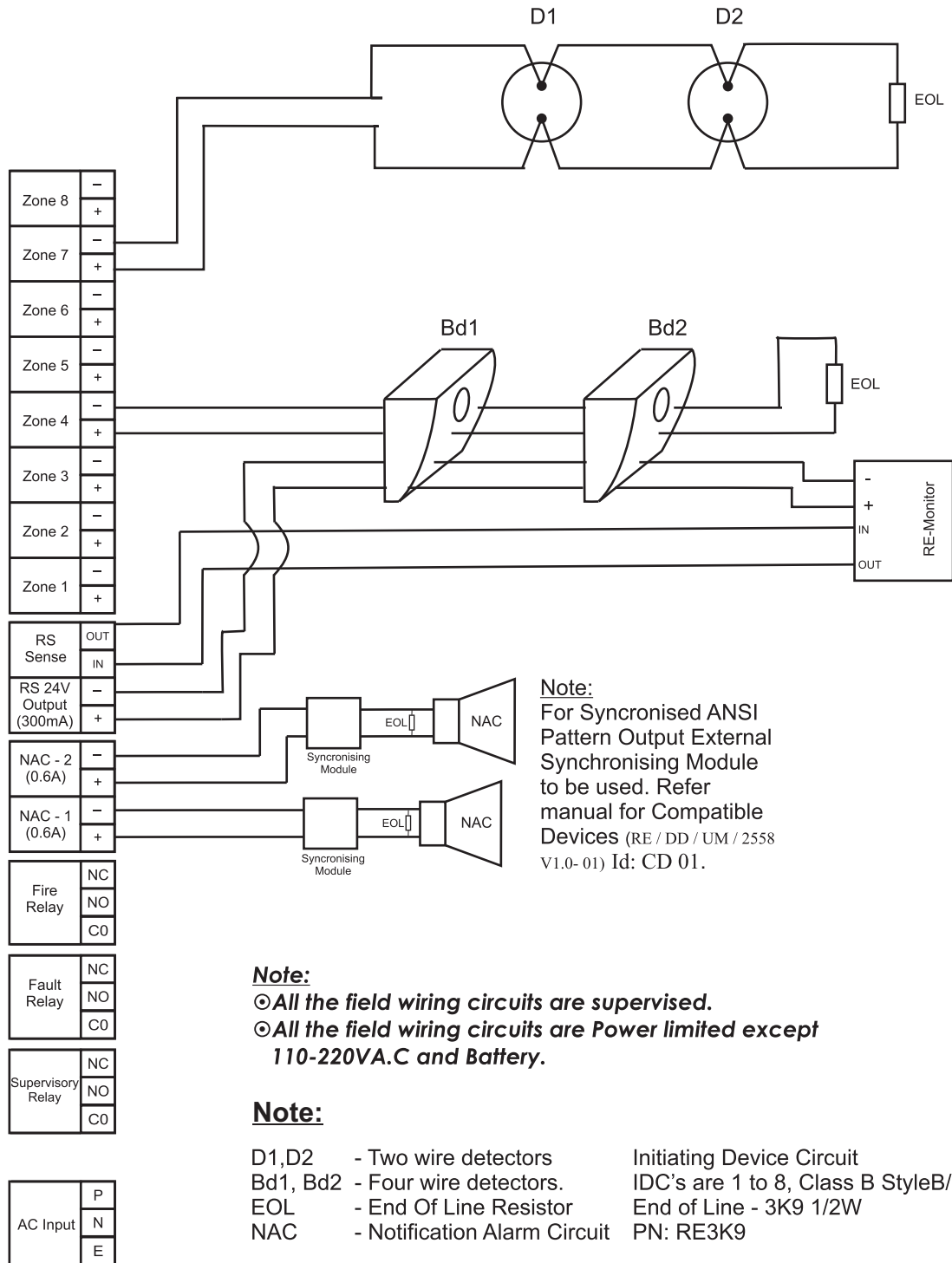
## Mounting Detail:



## Mechanical Specification:

Dimensions	: (440W X 340H X 120D).
Color	: Red / White.
Construction	: 18 Gauge (1.22mm) CRCA sheet with powder-coated finish.
IP Rating	: IP50.
Cable Entry	: 11x $\phi$ 19mm Knockout on top of the cabinet. 10x $\phi$ 22.25mm Knockout on top of the cabinet.

## Wiring Diagram:



**Note:**  
 For Synchronised ANSI Pattern Output External Synchronising Module to be used. Refer manual for Compatible Devices (RE / DD / UM / 2558 V1.0-01) Id: CD 01.

**Note:**  
 ©All the field wiring circuits are supervised.  
 ©All the field wiring circuits are Power limited except 110-220V.A.C and Battery.

**Note:**

D1, D2 - Two wire detectors Initiating Device Circuit  
 Bd1, Bd2 - Four wire detectors. IDC's are 1 to 8, Class B StyleB/C  
 EOL - End Of Line Resistor End of Line - 3K9 1/2W  
 NAC - Notification Alarm Circuit PN: RE3K9

## Compatible Devices:

MODELS	DESCRIPTION
RE-316S-2L	Photoelectric Smoke detector with base.
RE-316H-2L	Heat detector with base.
RE-316SH-2L	Photoelectric & Heat detector with base
RE-314	Common base for above
RE-716MR	MCP Red
RE-24CS	Mini Horn
RE-24SS	Sounder cum Strobe
RE-Monitor	24VDC Output for Monitor Module
RE-3K9	End Of Line Resistor

## Ordering Information:

MODELS	ZONES
RE- 2558-W	8 Zones
RE-2558-R	8 Zones

**NOTE:**

W-White color  
R-Red color

### **United Kingdom:**

#### **RAVEL ELECTRONICS LTD.,**

Unit 11, Chancel Industrial Estate, Newhall street,  
Willenhall WV13 1NX, West Midlands, United Kingdom.  
E-mail: [info@ravelfire.co.uk](mailto:info@ravelfire.co.uk) ;Web: [www.ravelfire.co.uk](http://www.ravelfire.co.uk)

**NATURSONNE**   
Pacheco 2060, CABA,  
Buenos Aires, Argentina  
Teléfono +54 11 4524-2655  
[www.natursonne.com.ar](http://www.natursonne.com.ar)